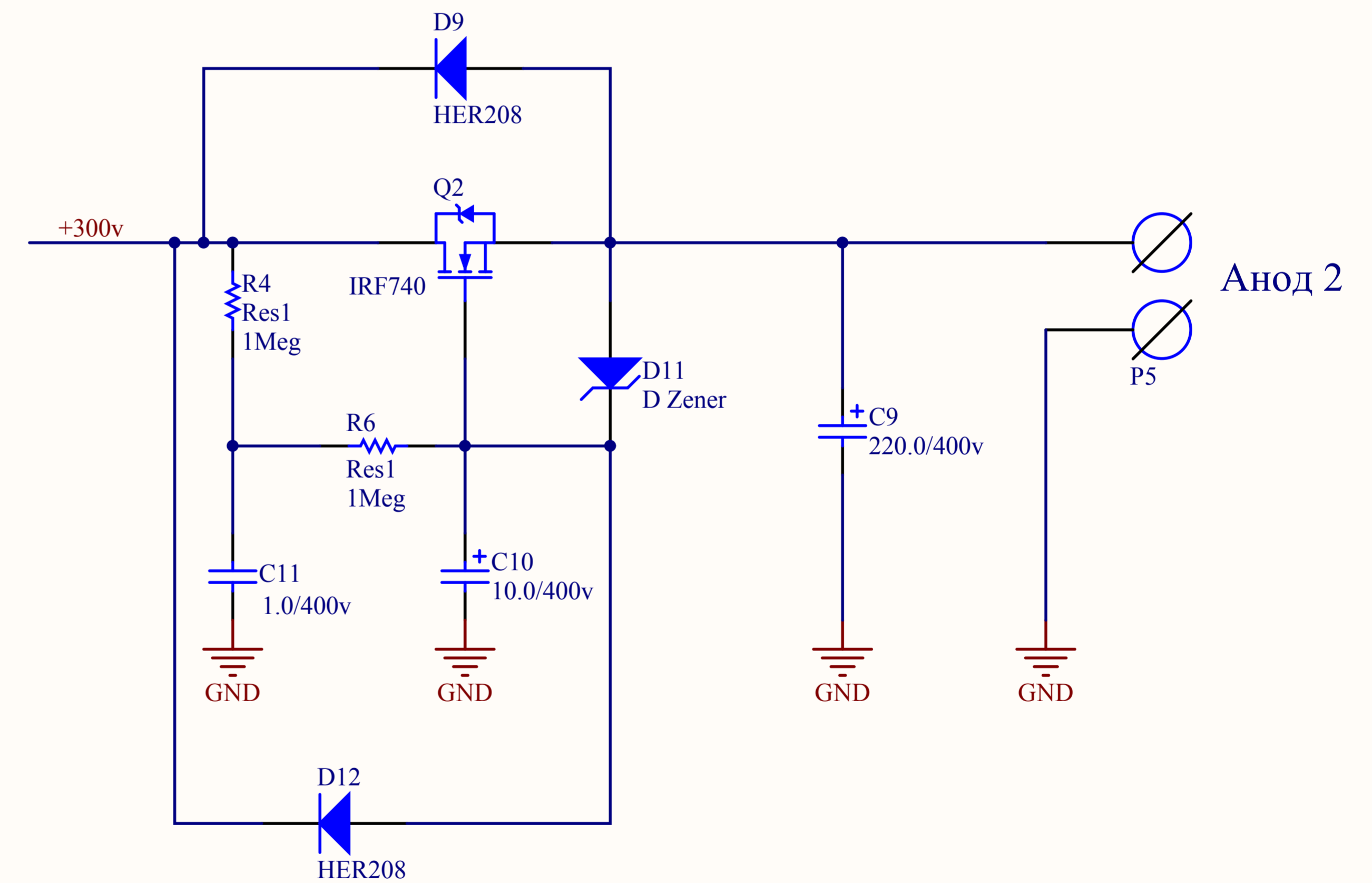
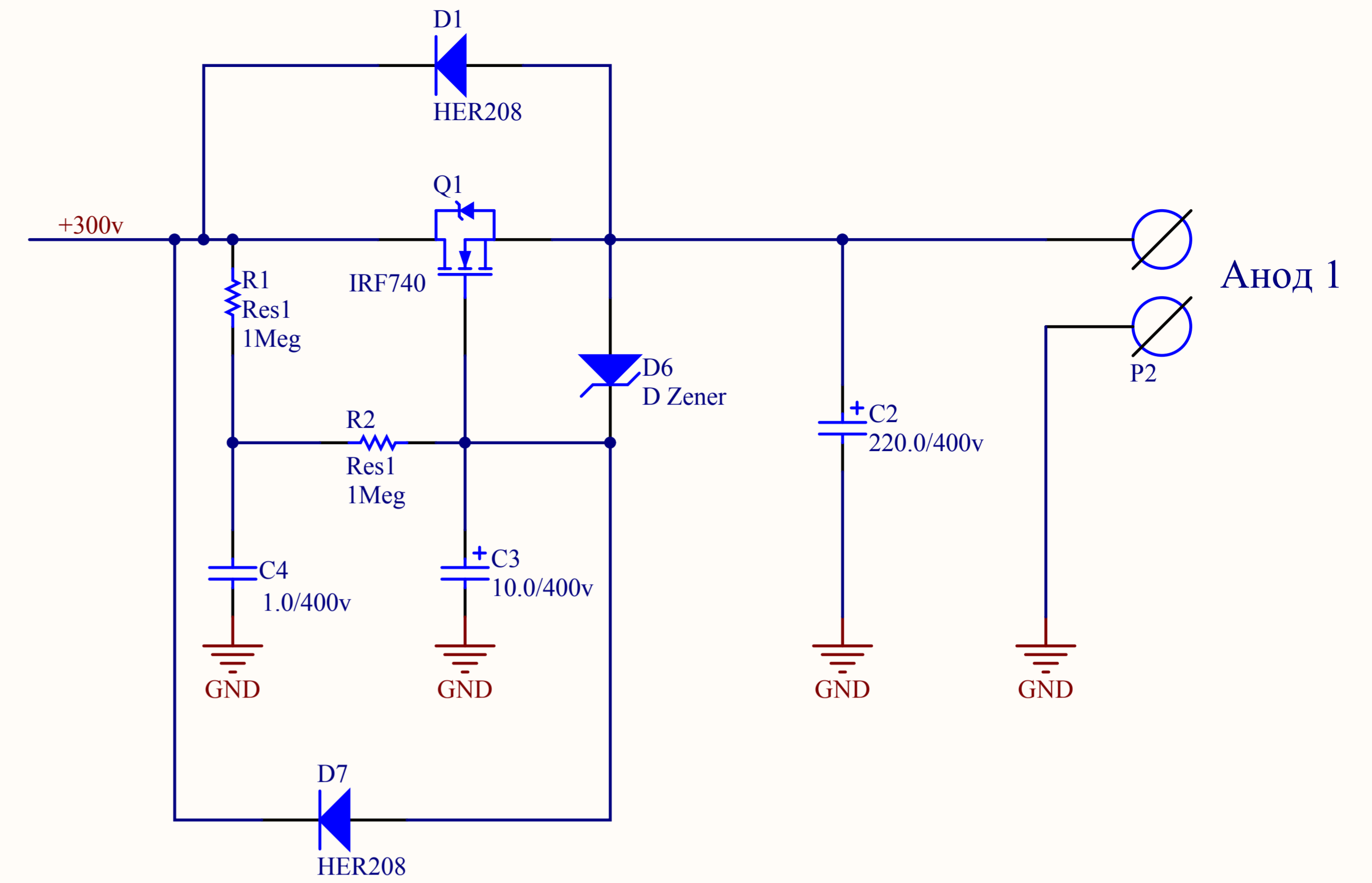
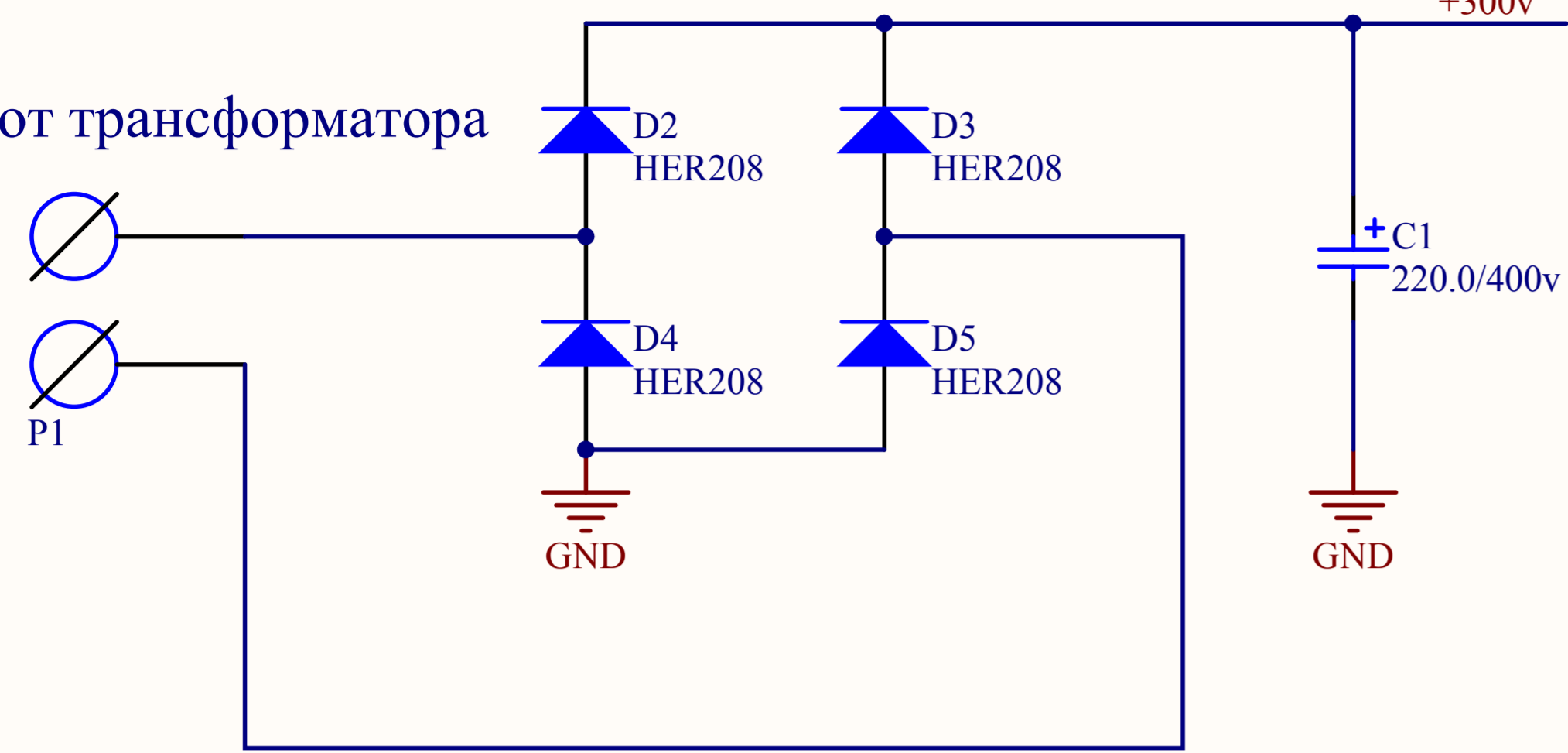


220v от трансформатора



|       |                               |           |
|-------|-------------------------------|-----------|
| Title |                               |           |
| Size  | Number                        | Revision  |
| A4    |                               |           |
| Date: | 19.03.2008                    | Sheet of  |
| File: | F:\6φ3n\stab\regulator.SchDoc | Drawn By: |